



DIGITAL INDUSTRIES SOFTWARE

What's new in Solid Edge 2023

Enabling seamless collaboration between teams and systems

Benefits

- Enable seamless collaboration between teams and systems
- Streamline product design with a revamped user interface
- Detail 3D models faster and easier with MBD enhancements
- Eliminate inspection errors with Solid Edge Inspector
- Reduce meshing errors and accelerate simulation studies
- Access the add-on capabilities you want when you need them

Summary

The new release of Solid Edge® software adds a host of new tools for you to streamline your product design, empowering you to create, connect and collaborate. Experience seamless collaboration between teams and systems with new interoperability enhancements. A new look and feel suits the way you work, allowing you to be more efficient with fewer clicks. Do more with mesh models by using new simulation capabilities. Save time and money in manufacturing by eliminating errors in inspection. And experience it all with new licensing options that give you the features you need when you need them.

Solid Edge 2023, which is part of the Siemens Xcelerator portfolio, the comprehensive and integrated portfolio of software, hardware and services, provides you with an innovative and comprehensive approach to product development for the mainstream market.

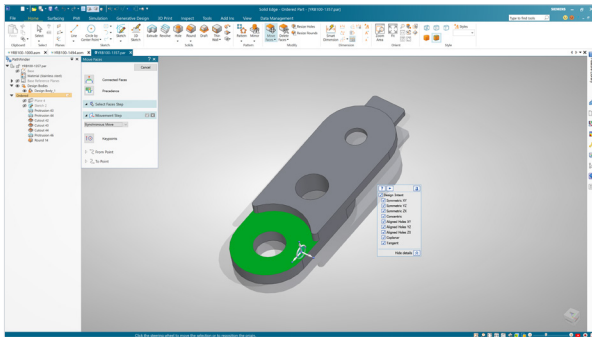
SIEMENS

[siemens.com/solidedge](https://www.siemens.com/solidedge)



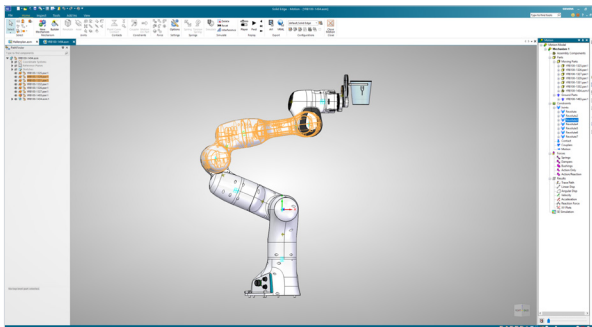
Solid Edge SaaS

Xcelerator Cloud and software as a service (SaaS) provides connection to the cloud and the opportunity to subscribe to software and services based on your needs. You can use Solid Edge SaaS to lower information technology (IT) overhead, manage costs and easily scale your business, plus access extra features only included with through a SaaS subscription. Solid Edge SaaS, which includes Xcelerator Share, provides you with the same powerful product development software you expect, while also offering next-generation collaboration tools, augmented reality (AR) capabilities access to your design data anywhere, at any time from any device and more.



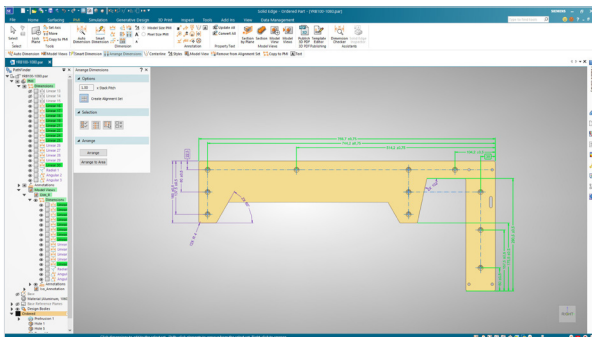
Click less, do more

Check out our new look and feel with a revamped user interface (UI) and streamlined workflows. We've changed our UI to match the way you work, with intuitive command bars and toolbars, updated personalization options and improved modeling workflows. Reduce the number of clicks to achieve common workflows, saving time as improvements to ordered modeling bring synchronous tools to ordered users.



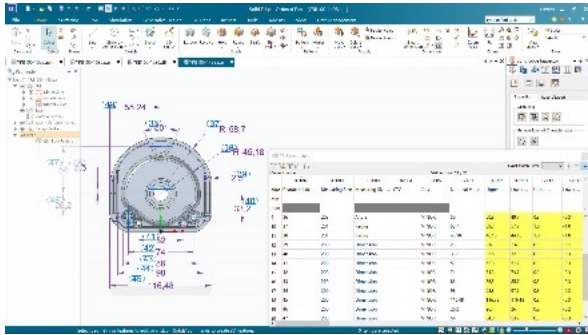
Go further with your design data

New interoperability enhancements unlock the power of your design data while future-proofing your work. You can use Solid Edge to easily and accurately transfer Solid Edge data to and from the Siemens Xcelerator portfolio, including NX™ software and Process Simulate in the Tecnomatix® portfolio. Directly insert SolidWorks, JT, STEP and Parasolid® software files (part or assembly) into Solid Edge assemblies without translation.



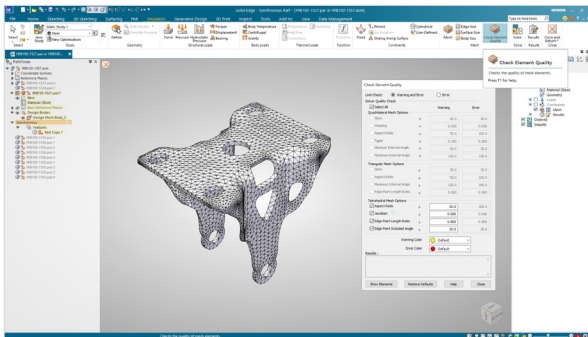
Leverage design and manufacturing intent

Model-based definition (MBD) enhancements provide you with the tools to detail 3D models faster and easier than before. You can increase productivity with improved workflows and automatic assistance. New add-on Solid Edge advanced product manufacturing information (PMI) helps you deliver high-quality consistent dimensioning for downstream PMI applications.



Automatically identify, label and extract critical design characteristics

You can use Solid Edge Inspector software to save time and money in manufacturing by eliminating errors in inspection. Solid Edge Inspector automatically generates quality inspection data and reports that users can trust, while enabling seamless communication in the downstream manufacturing process.



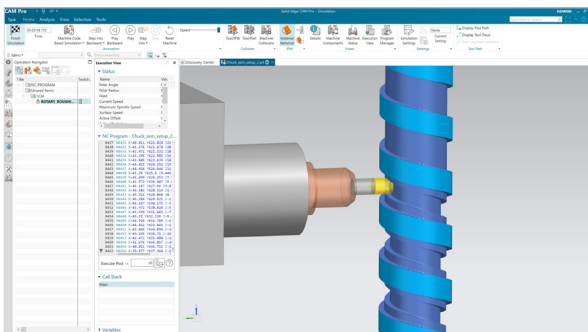
Make the most of your mesh

Enhanced capabilities now allow for simulation on convergent models, models created using generative design or obtained from 3D scans, without the need for conversion to b-rep. By expanding body mesh functionality to include assembly and sheet metal simulation, you can reduce meshing errors and accelerate simulation studies.



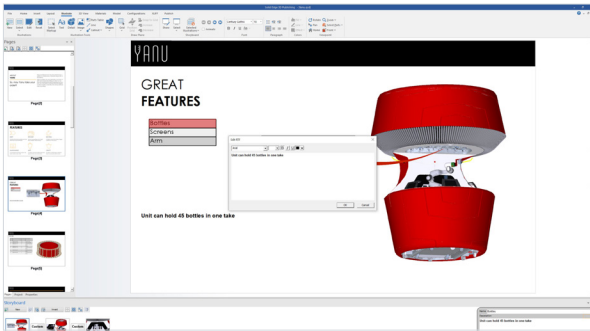
The features you want when you need them

New value-based licensing options allow you to choose the add-on capabilities you want when you want them. This flexible licensing option, available through a Solid Edge SaaS subscription, offers instant access to tools like generative design pro, point cloud visualization and Solid Edge electrical routing.



Build the impossible with new manufacturing capabilities

New multi-axis roughing for 5-axis machining in Solid Edge CAM Pro provides you with more efficient material removal while saving you time. A new rotary machining add-on for 4-axis machining and new wire electrical discharge machining (EDM) functionality improves your ability to create shapes, even those that would otherwise be too expensive or impossible. The smart machine kits library provides you with easy access to standardized, professionally built machine simulation kits.



Create technical publications faster

A new, modern user interface and enhancements to usability, workflows and animations allows you to do more with illustrations and technical documentation. Assign rich text metadata to illustrations and parts that displays dynamically. Create custom transitions with predefined timing for camera movement, part reveal, part movement, part hide and other animation features. You can also define multiple master pages and display visual thumbnails alongside the document.

Extending value

Solid Edge software is an integrated set of powerful, comprehensive and accessible tools that allow you to advance all aspects of the product development process. Using Solid Edge helps you address today's complexity challenges with automated digital solutions that cultivate creativity and collaboration.

By harnessing the latest innovative technologies in mechanical and electrical design, simulation, manufacturing, publications, data management and cloud-based collaboration, using Solid Edge dramatically shortens time-to-market, provides greater production flexibility and reduces costs with its collaborative and scalable solutions.

For more information, visit [siemens.com/solid-edge-2023](https://www.siemens.com/solid-edge-2023).

Minimum system configuration

- Windows 10 Enterprise or Professional (64-bit only) version 1809 or later
- Java 8 and above, 64-bit
- 16 GB RAM
- 65K colors
- Screen resolution: 1920 x 1080
- 8.5 GB of disk space required for installation

**Siemens Digital
Industries Software**
[siemens.com/software](https://www.siemens.com/software)

Americas
1 800 498 5351

Europe
00 800 7000222

Asia-Pacific
001 800 03061910

For additional numbers,
click [here](#).